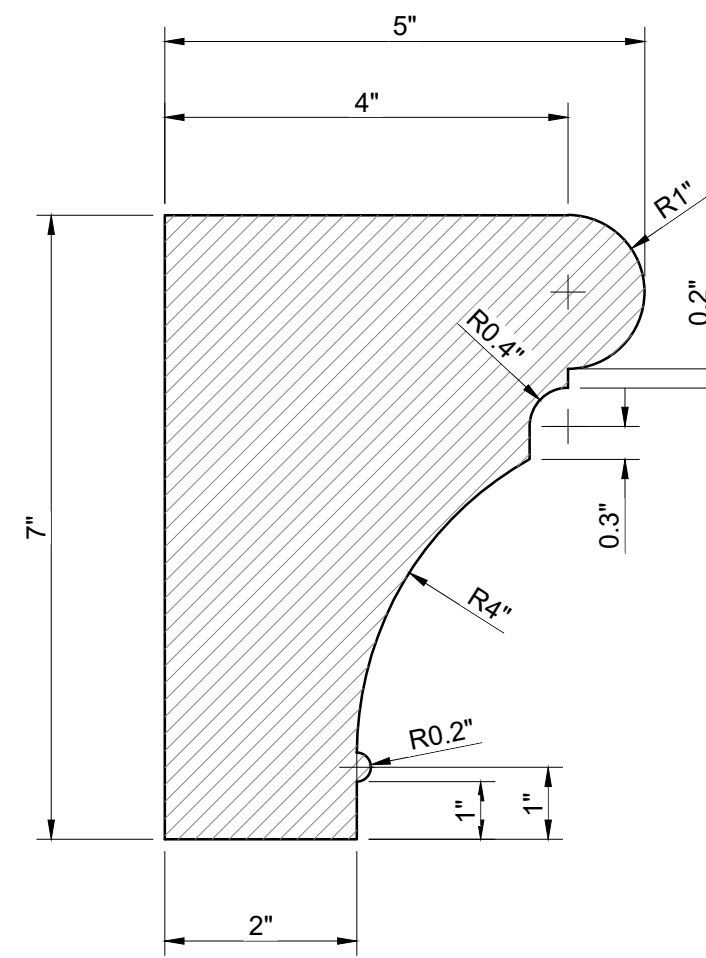
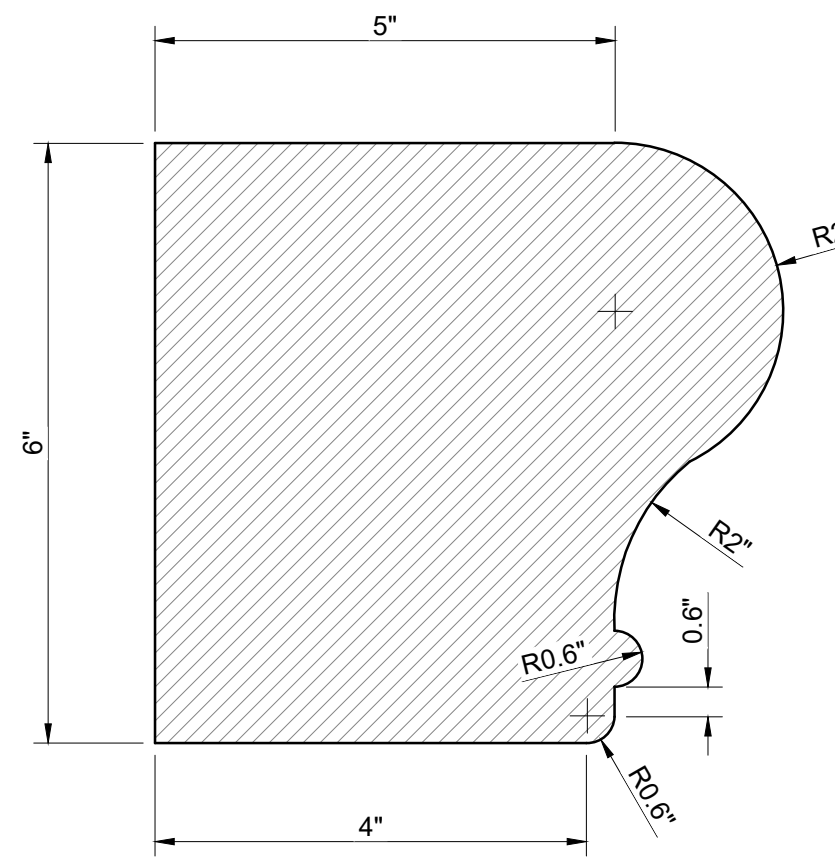


ELEVATION VIEW
SCALE: 1 1/2"=1'-0"



SECTION A-A
SCALE: 6"=1'-0"



SECTION B-B
SCALE: 6"=1'-0"

General Notes



Mohan's Precast USA, Inc
95-28 150th Street Jamaica, NY, 11435
T:7187399199 F:7187399111
Toll Free: 1-855-5-PRECAST
Email: info@mohansprecast.com

No.	Revision/Issue	Date
01	IDC	07.18.2018

Architect / Designer:

NYCSCA
30-30 Thompson Avenue, Long Island City, NY 11101

Client:

KG CONSTRUCTION SERVICES, INC.
55 Old Nyack Turnpike, Suite # 204, Manuet, NY, 10954
T:845-215-9490 F:845-215-9489

Project Name and Address:

P.S. 233 K
9301 AVENUE B, BROOKLYN, NY 11236

Title:

WINDOW

Project:

Sheet N.º:

01

Scale:

AS SHOWN