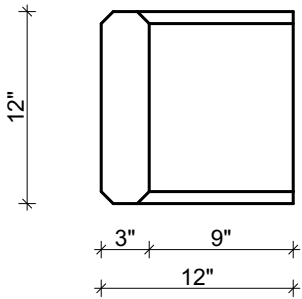
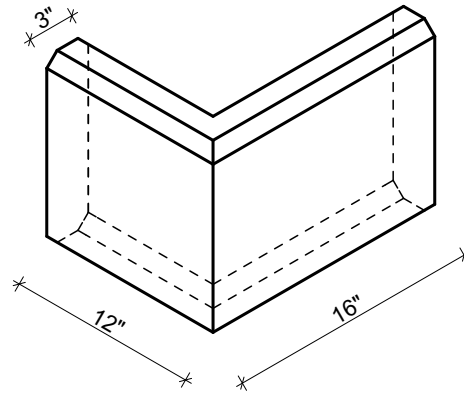


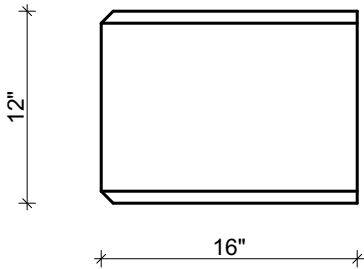
# Mohan's Precast USA, Inc.



Side view



Isometric view



Front view

Qty: \_\_\_\_\_  
 Left Return: \_\_\_\_\_  
 Right Return: \_\_\_\_\_  
 Straight: \_\_\_\_\_

(Color may vary)

(Standard length 48")



Product ID: QN-12-16 Chamfered Edge

Date:

Client:

Project:

Approved by:

Color: White   
 Buff   
 Gray   
 Custom

Texture: Smooth   
 Light Etch   
 Heavy Etch

Precast   
 Cast Stone   
 Limestone