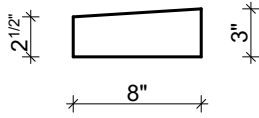
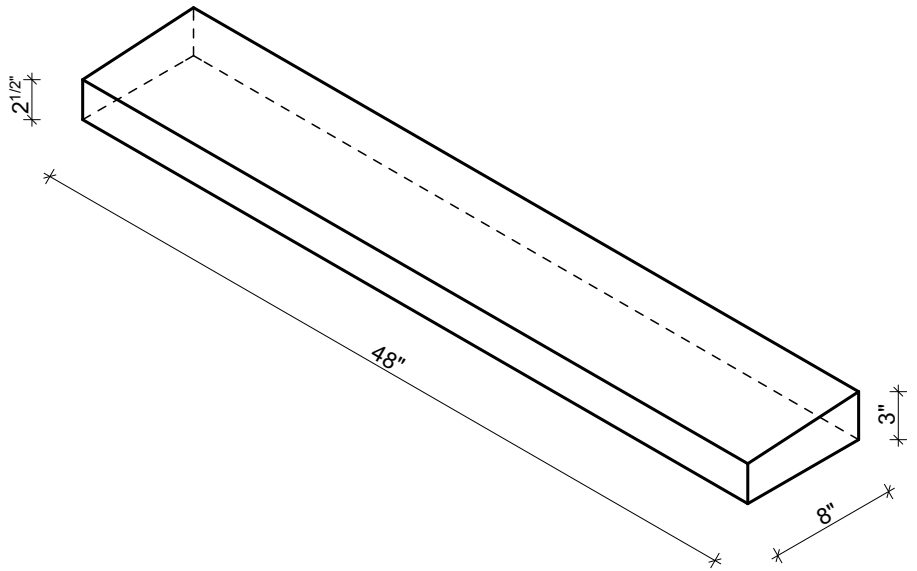


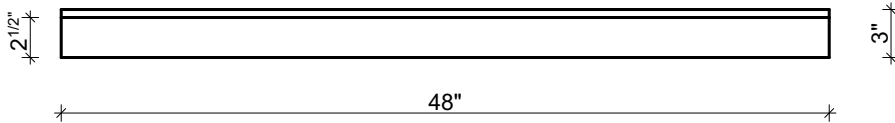
Mohan's Precast USA, Inc.



Side view



Isometric view



Front view

Qty: _____
 Left Return: _____
 Right Return: _____
 Straight: _____

- 10"W x 3"Thick x 48"L 2 1/2" TAPERED
- 12"W x 3"Thick x 48"L 2 1/2" TAPERED
- 14"W x 3"Thick x 48"L 2 1/2" TAPERED
- 16"W x 3"Thick x 48"L 2 1/2" TAPERED
- 18"W x 3"Thick x 48"L 2 1/2" TAPERED
- 20"W x 3"Thick x 48"L 2 1/2" TAPERED
- 22"W x 3"Thick x 48"L 2 1/2" TAPERED
- 24"W x 3"Thick x 48"L 2 1/2" TAPERED

(Color may vary)

(Standard length 48")



Product ID: CP- _____

Date: _____

Client: _____

Project: _____

Approved by: _____

Color: White
 Buff
 Gray
 Custom

Texture: Smooth
 Light Etch
 Heavy Etch

Precast
 Cast Stone
 Limestone