

MOHAN'S PRECAST USA, Inc.  
150th Street Jamaica, NY, 11435  
T:7187399199 F:7187399111 Toll  
Free: 1-855-5-PRECAST Email:  
info@mohansprecast.com

**ARCHITECT/DESIGN**

**CLIENT**

**PROJECT NAME &  
ADDRESS**

**SCALE**

N.T.S.

**PROJECT**

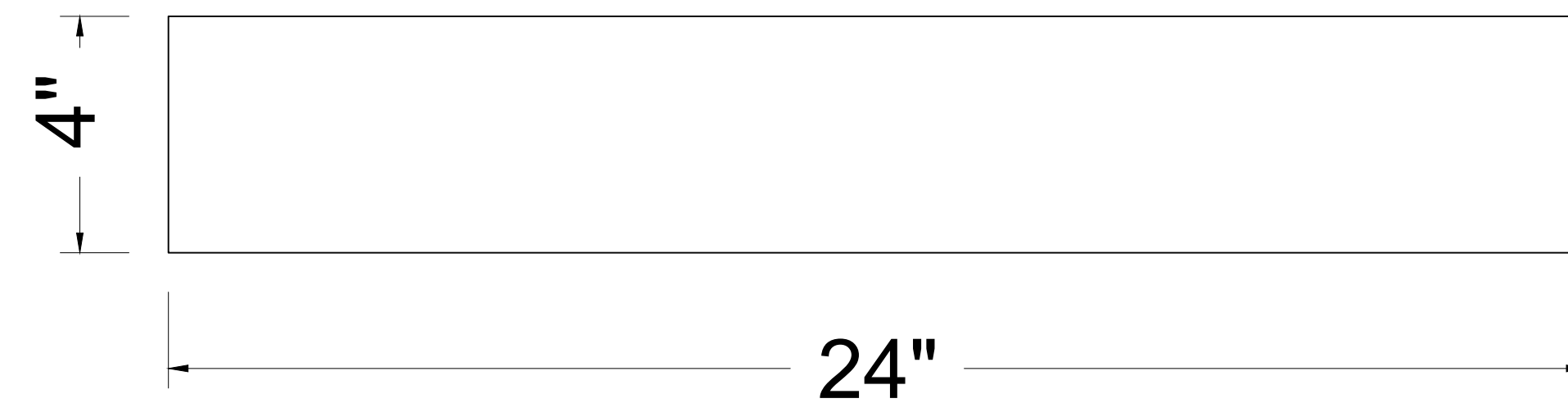
**SHEET TITLE**

SPLASH BLOCK

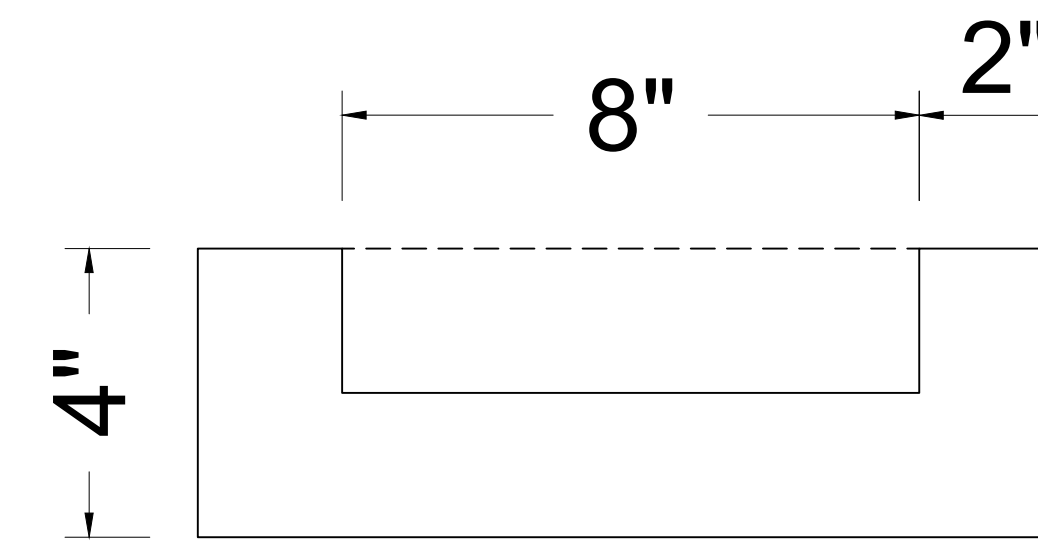
**SHEET#**

1

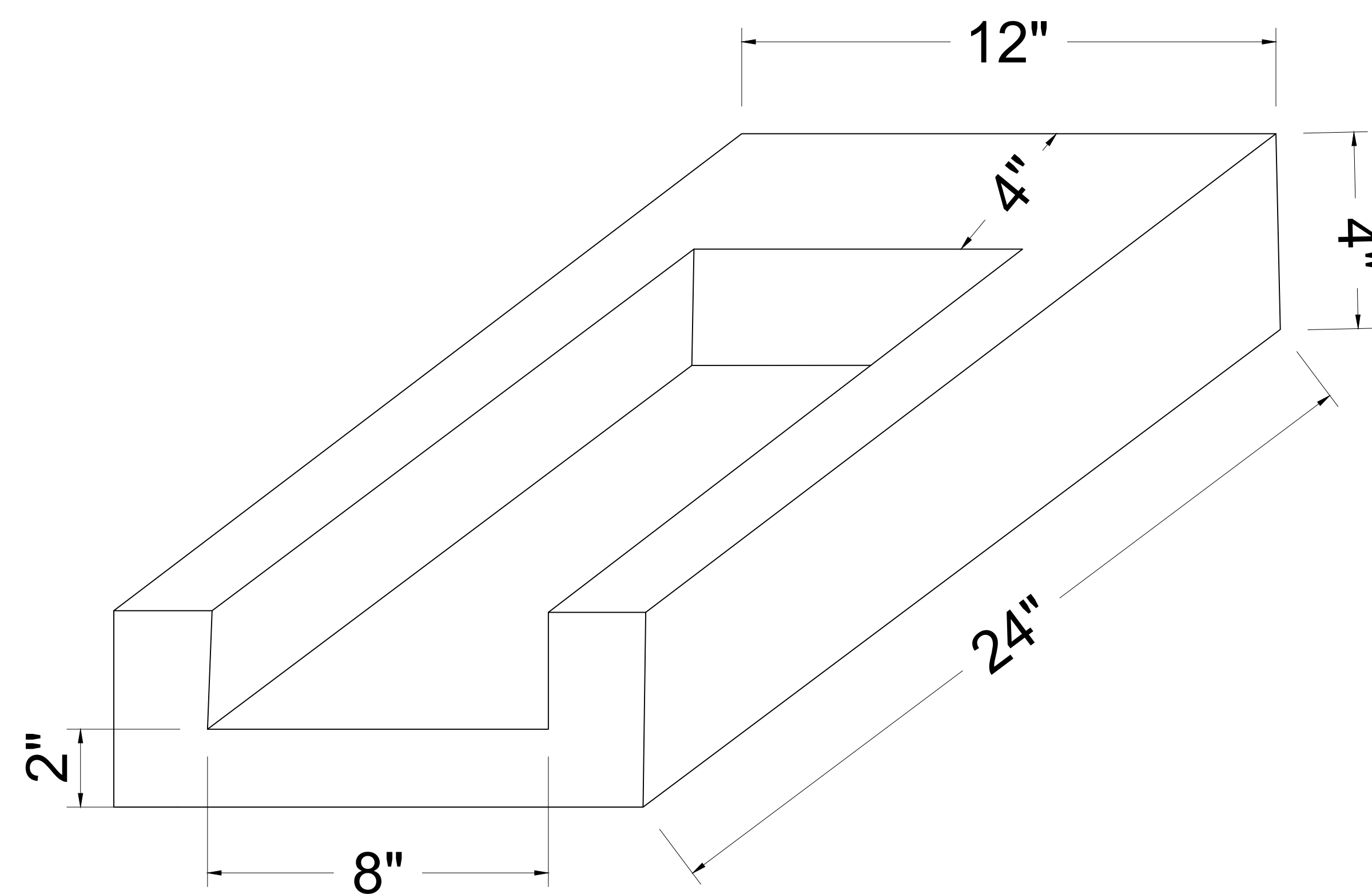
COLOR : GREY(STANDARD)  
TEXTURE : SMOOTH(FORM FINISH)  
QTY : \_\_\_\_\_



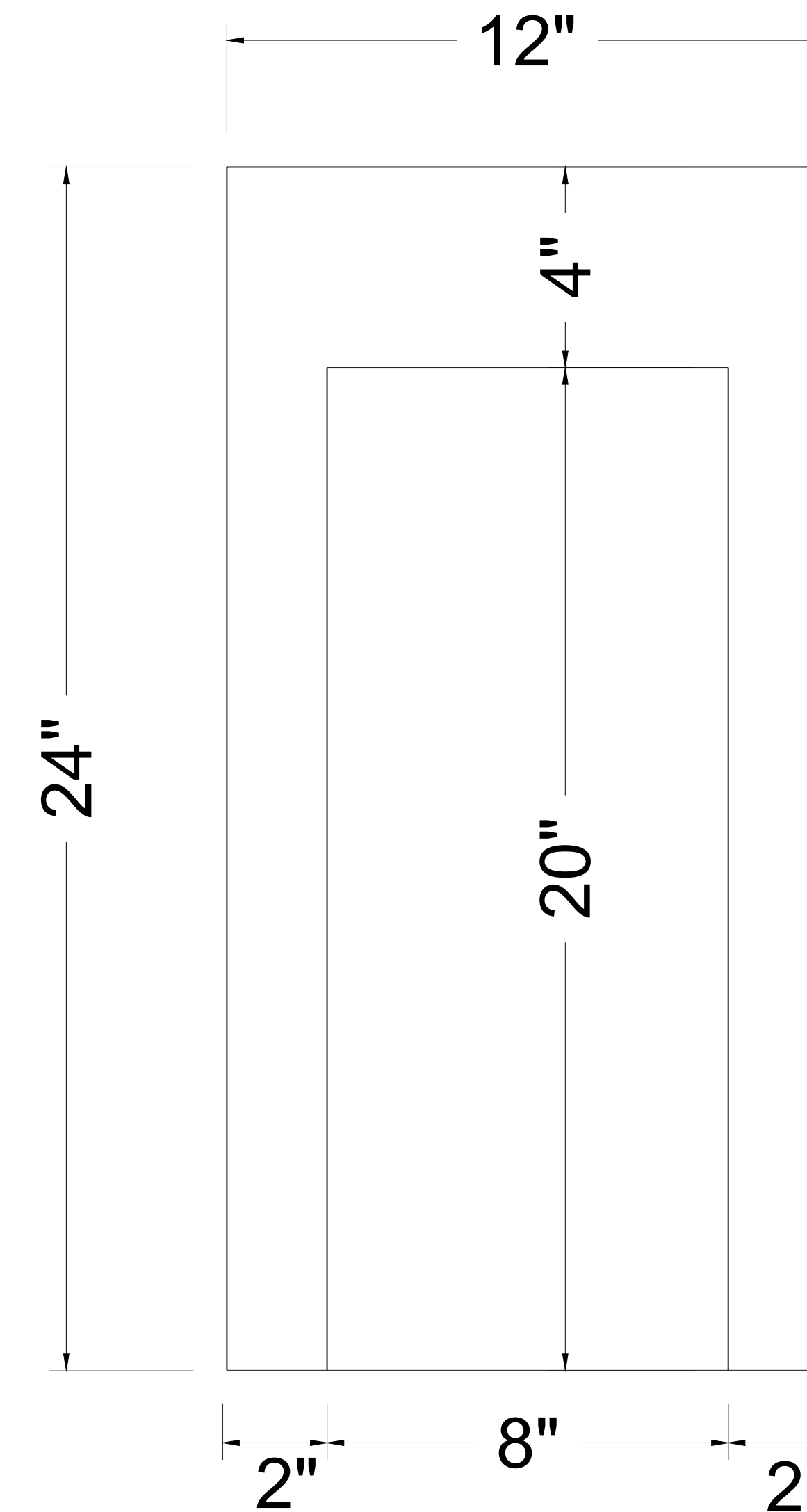
**SIDE VIEW**



**FRONT VIEW**



**ISOMETRIC VIEW**



**PLAN VIEW**